

Cube1: Car BlackBox

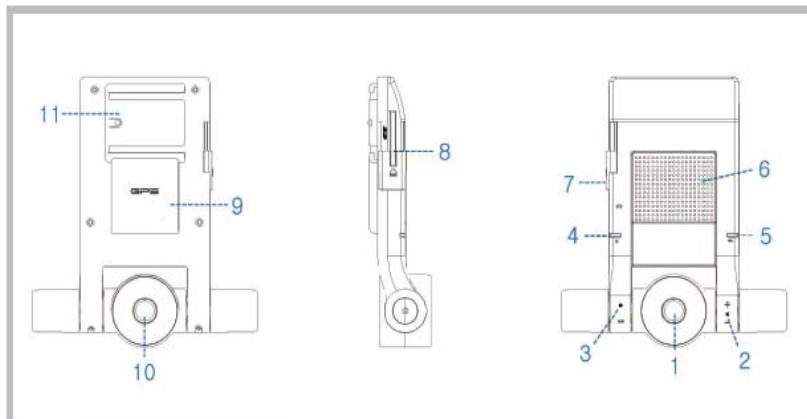
GPS / G-Sensor / Recorder / Dual Camera / Audio



FEATURES:

- Dual Camera (1.3 Mega Pixels / 2CH Display)
- Built-in GPS and G-Sensor
- Emergency or Continuous Recording
- Playing Images or Audio Data
- SD Memory Card
- Play VGA
- Battery Monitoring

DIMENSIONS



No.	Name	Description
1	Indoor camera	Take internal images of the vehicle (Optional)
2	Volume button	Adjusts volume of the voice instruction
3	Mode selection button	Optional recording/ internal recording (2ch) selection switch
4	power LED	Indicates if power is on.
5	Activity LED	Indicates the status of activity.
6	Speaker	Voice instruction
7	Power jack	External power connection terminal
8	SD card slot	Stores the recorded data to SD card
9	GPS Module	Receives satellite data (Location information)
10	Forward camera	Takes images of forward areas of the vehicle
11	Holder slot	For attaching the holder to the vehicle.

SPECIFICATIONS

MODEL	MOBILE CAMERA
Classification	Unit
Power Consumption	1.5W
Weight	93g
Size (W x L x H)	124 x 108 x 25
Operating Temperature	-20°C ~ +70°C
Camera	2 Camera / 1/3M pixel CMOS digital sensor
GPS	Internal GPS Module
G-sensor	Internal 3D "G" sensor
Storage	SD memory card
Voice REC.	Internal MIC
Event	Emergency button, shock
Resolution	640 x 480 / 24fps
Power Supply	DC 12V ~24V (Ciger jack)

Cube1: Car BlackBox



- Dual Camera(1.3Mega Pixels / 2CH Display)
- Built-in GPS & G-Sensor
- Emergency or Continuous Recording
- Playing Images and Audio Data
- SD Memory Card
- Play VGA(640 X 480)
- Battery Monitoring

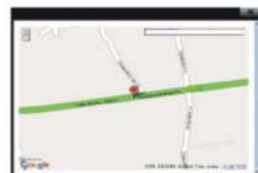
Car Blackbox

The Car Blackbox is a state of the art mobile DVR which records images inside and in front of the car. This system has a perfect array of features starting with the dual camera that faces forward and looks into the car. This unit has built in G-Shock sensor that has 5 level settings and can record multiple impact points. The beautiful thing with regards to the blackbox is it has built in GPS data that records your exact location, speed and direction once you press the map button on the software screen. A Google map appears in a separate window

Car Blackbox Installation in the Car



GPS Location as Shown on Google Map



Software Interface, Actual Screen Shot

